

# INSTALLING WATER-RESISTIVE BARRIERS & FLASHING

## IN A TWO-LAYER STUCCO APPLICATION

Fortifiber Building Systems Group® provides this guide to assist installers by demonstrating a two-layer installation of water-resistive barriers for stucco applications as required by the 2012 International Building Code. This installation guide provides an efficient and effective method for installing water-resistive barriers in residential and light commercial settings. The back of this document details integrating these products with window flashing.

This two-layer installation differs from a two-ply installation in that each layer is installed individually, where the inner layer is integrated with flashing to provide a continuous drainage plane. The outer layer serves to separate and protect the inner layer from the stucco.

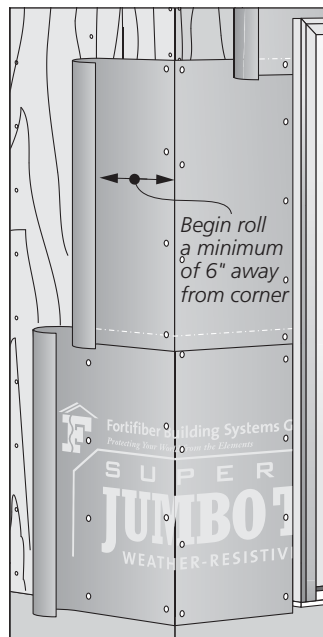
Compliance with the building code and proper installation are critical in reducing potential water leakage points. It is the responsibility of the architect or builder to ensure that these standards are met.

This guide applies to **Jumbo Tex®**, **Super Jumbo Tex® 60 Minute, Two-Ply Jumbo Tex®**, **Two-Ply Super Jumbo Tex®**, **PlyDry®**, **WeatherSmart®** and **WeatherSmart® Commercial**.

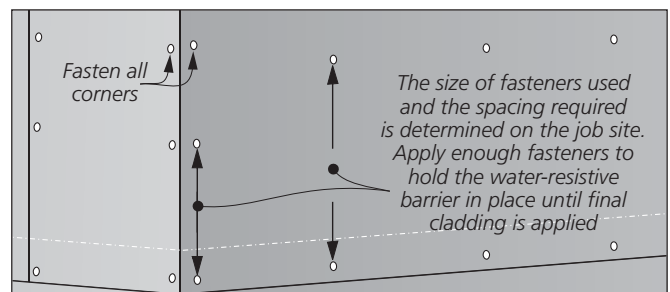


### 1 INSTALLING WRB

Following installation of windows and flashing, install water-resistive barrier over an approved exterior sheathing. Starting at the bottom of one end of the wall, place the water-resistive barrier roll horizontally (overlapping the corner by a minimum of 6") and roll out the first course evenly, integrating with flashing at window and door openings. Place the membrane so that it is tight and flat. Apply enough fasteners to hold the water-resistive barrier in place until the final wall cladding is installed.



### 2 FASTENING

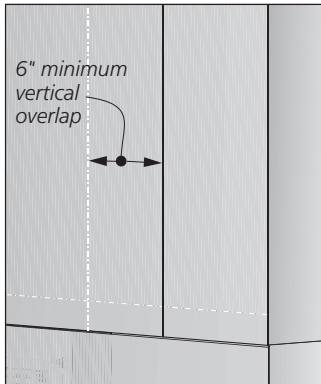


Under normal conditions, attaching the water-resistive barrier with a quality exterior grade staple is acceptable. A higher grade of galvanized fastener, or large headed galvanized nail may be required in certain settings or weather conditions.

It is the responsibility of the architect, builder, or foreman to decide the type of exterior grade fastener that will best suit the job at hand and how many of these fasteners are required.

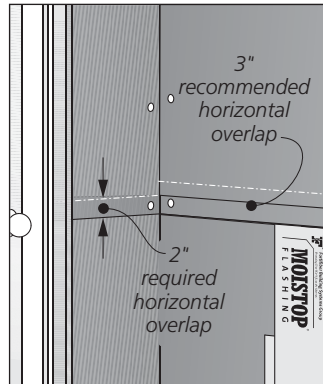
### 3 SEAM OVERLAPS

#### VERTICAL



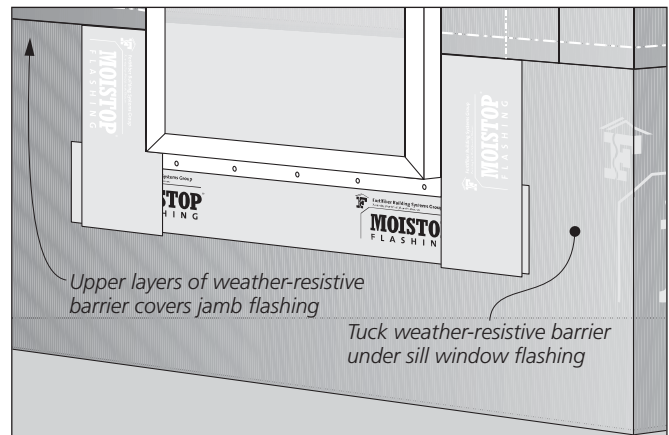
At vertical seams, apply a minimum 6" vertical overlap. When going around corners, make sure the water-resistant barrier is pulled tightly and properly fastened.

#### HORIZONTAL



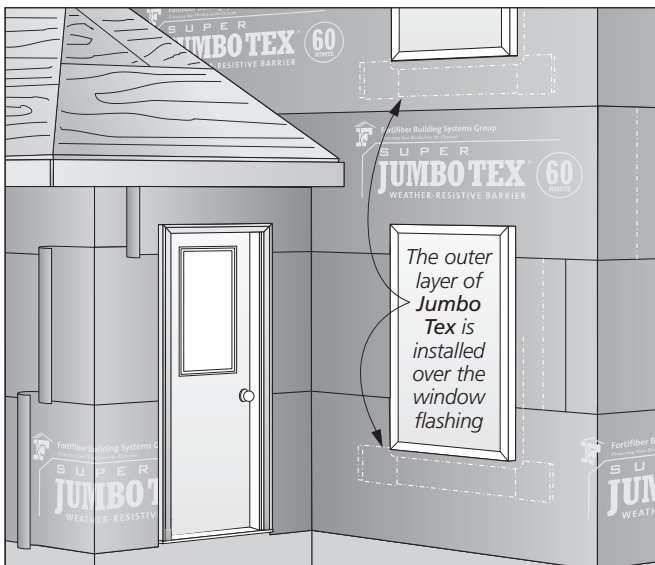
Any succeeding course should be placed horizontally over the lower course in a weather-board fashion with a minimum horizontal overlap of 2" (3" is recommended)

### 4 WRB AND WINDOWS



When a course of the water-resistant barrier first crosses the path of any window, it needs to be properly integrated with the window sill and jamb flashing for quality moisture management. To do this, tuck water-resistant barrier under the sill and jamb flashing as shown above. The courses above this point can butt into the window jamb.

### 5 INSTALL JUMBO TEX



An outer layer of **Jumbo Tex** is now installed over the first water-resistant barrier layer in weather-board fashion, following the same requirements for overlaps and fasteners. However, this layer is not integrated with the window flashing, but is instead installed over the integrated flashing and first water-resistant barrier.

### WRB AND FLASHING

Windows, window flashings, and weather barriers must be properly integrated in order to form a comprehensive moisture control system. The windows shown in this guide follow the "Method B" manner of window flashing. A detailed guide for this method of flashing can be found at [www.fortifiber.com](http://www.fortifiber.com).

Also, you can find other detailed instructions on how to integrate water-resistant barriers and window flashings at the Fortifiber web site. Listed below are some of the common settings that you'll encounter when installing a water-resistant barrier.

#### WHEN WATER-RESISTIVE BARRIER IS INSTALLED AFTER THE WINDOW

Use one of the following guides that apply.

**Method A** (self adhesive)

**Method B** (mechanically attached)

**High Performance Two-Step**

#### WHEN WATER-RESISTIVE BARRIER IS INSTALLED BEFORE THE WINDOW

Use the following guide:

**Method A1** (self adhesive)

Call 1-800-773-4777 Nationwide for Technical Assistance or visit our Web site at [www.fortifiber.com](http://www.fortifiber.com)

**Limitations:** Product should be covered as soon as possible. Inspect product to insure it is free of any protrusions or damage which may detract from the weather-resistant barrier integrity. Holes, tears or punctures should be sealed with Moistop® Sealant or Fortifiber Sheathing Tape. This product is not recommended for horizontal, roofing or below grade applications.



Protecting Your World from the Elements®

NATIONAL SALES OFFICE – Fernley, NV